



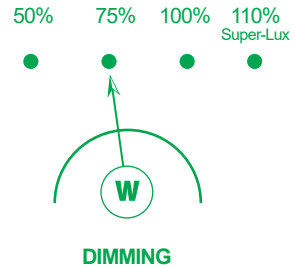
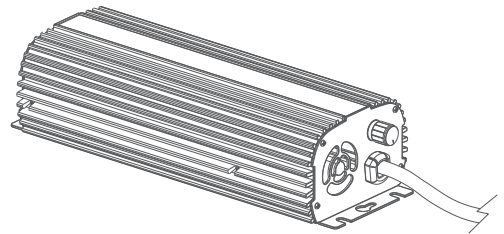
The Nanolux Technology Inc ballast 2 years warranty will guarantee quick repairs or equipment swaps should you ever have a problem with your new unit. Nanolux warrants this ballast to be free from defects in material and workmanship. Equipment faults caused by misuse, abuse, or failure to follow instructions are not covered by warranty. For warranty service, please return the ballast with the original sales receipt and packaging to your place of purchase.

Thank you for your support to the Nanolux Technology Inc Electronic Ballast. We believe this to be the best garden lighting available and we are proud to continue serving you!

For more information about Nanolux Technology Inc products, please visit www.nanoluxtech.com

OPERATING MANUAL

DIGITAL ELECTRONIC
BALLAST
1000W/600W/400W/250W
BASE SERIES



PATENTED PRODUCTS, COUNTERFEITING NOT ALLOWED.

Designed by NANOLUX in California
Made in China



PLEASE READ THESE INSTRUCTIONS FIRST BEFORE INSTALLATION

The revolutionary new Nanolux Ballast is about to change everything you expect from the driving source of any indoor garden, YOUR LIGHTING!!! This ballast is the most stable ballast on the market today.

The Nanolux ballast Base series is the **Authentic Original Nano** design on the market.

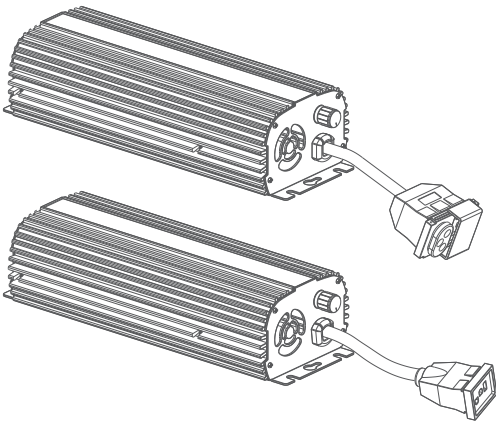
In addition to the popular dimming function, which allows you to operate your ballast at 50%, 75%, 100%, 110% power, we have also incorporated our new Random Start 110% system.

Random Start, gives each ballast a 0-15 second window upon which it will strike the bulb. This allows for a less initial power draw when using multiple ballasts for larger installations.

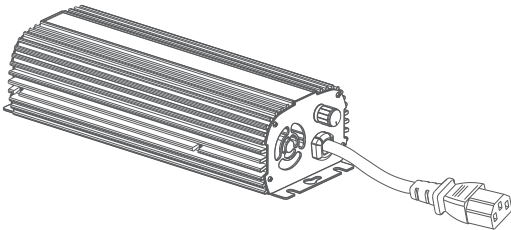
PRODUCT PICTURES

The Nanolux Base series have different output leads in different markets. The detailed pictures are as below.

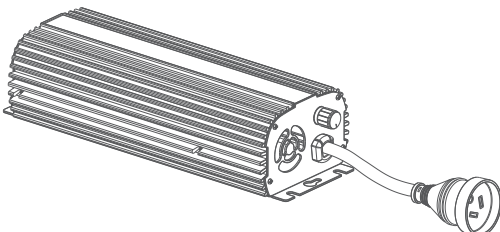
NORTH AMERICAN & JAPANESE MARKET



EUROPEAN & JAPANESE MARKET



AUSTRALIAN MARKET



SPECIFICATIONS

1) **Rated input voltage:** 120Vac/220Vac/240Vac, 277Vac(optional)

2) **Power Factor:** ≥ 0.99

3) **Crest Factor:** ≤ 1.7

4) **Total Harmonic Distortion (THD):** $\leq 10\%$

5) **Operating Temperature:** -4°F (-20°C) $\sim 122^{\circ}\text{F}$ (50°C)

6) **Output Frequency:** $\geq 30\text{KHz}$

7) **Strikes both HPS and MH lamps**

8) **Strikes bulbs from up to 15ft**

OPERATING INSTRUCTIONS

- 1) Install your new Nanolux ballast away from any potential heat or moisture source. Although these units are made to withstand extreme gardening conditions, keeping the units as dry as possible will extend its life.
- 2) Connect the output lead and socket to the lamp lead. (Ensure bulb is inserted properly)
- 3) Plug the power connection (cord is provided) into power supply socket.
- 4) Select your Dimming Selection: 50%, 75%, 100%, 110%.
- 5) Ballast will self protect itself under/over voltage.
- 6) Ballast will attempt to restart after 3 minutes, and program to shutdown automatically after 10 strike attempts for safety.
- 7) Ballast will automatically restart when the ambient temperature is under 104°F (40°C).
- 8) Ballast with short/open circuit protection.

CAUTION

Failure to observe the following warnings may result in serious injury. Warranties will be void if the following are not heeded.

- 1) Use only HPS or MH bulbs. Do not use lamps referred to as 'retro' or 'conversion' lamps. Make sure the bulb matches the wattage of the highest output of the ballast.
- 2) Never unplug the power plug or detach lamp cord from socket without turning off the power supply first.
- 3) Make sure the power supply and lamp cable are connected properly and grounded.
- 4) Do not hang the ballast by the power or lamp cord.
- 5) Mount each unit at least 150mm (6inches) apart.
- 6) Do not attempt to open or modify the Nanolux Ballast, high power electrical devices can cause severe injury or death.
- 7) Ensure the unit does not come into contact with water.
- 8) Keep out of reach of children.

CONTACT

If you have any questions or concerns about installing your new ballast, please contact tech@nanoluxtech.com or a certified electrician. Care and maintenance of your Nanolux ballast is simple. Wipe the unit down with a clean, dry cloth periodically.