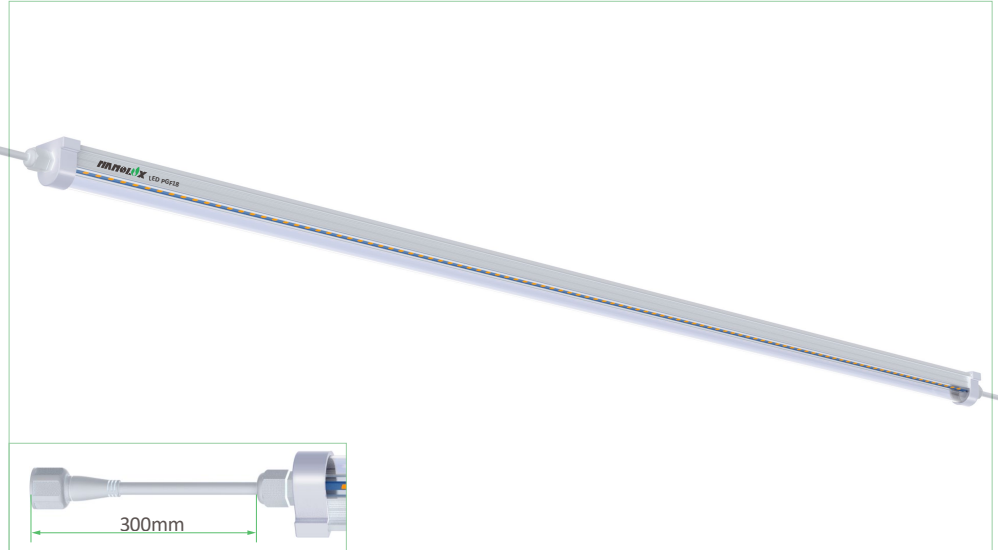


LED T8 BAR 18W 120V-277V

- ✓ Use high quality chips
- ✓ Single bar PPF $\geq 40 \mu\text{mol/s}$
- ✓ Wide input voltage 120V-277V
- ✓ Light weight design
- ✓ Waterproof IP65



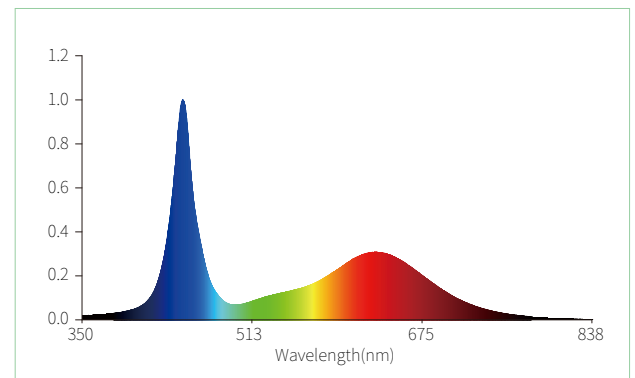
Installation Diagram



Features

- 18W LED is the perfect replacement for T8 fluorescent lamps.
- Single PPF can be up to $40 \mu\text{mol/s}$; The luminous angle is 120 degrees.
- Protection up to IP65, waterproof housing and connectors.
- Each 18W (0.15A on 120V) daisy chain, up to 25 bars on 3.75A circuit.
- The installation position of lamps and lanterns can be adjusted freely according to customer needs.
- More suitable in nursery applications.
- Zipper slot for easy installation.

Spectrum



Specifications

Basic information

Product	NB-LED T8 BAR
Product code	80.01.0299
Model code	LED PGF18

Performance

Input Power	18W (Single)
Efficiency	2.20 $\mu\text{mol}/\text{J}$
PPF	$\geq 40 \mu\text{mol}/\text{S}$
Min Power Factor	$>0.90\%$
Light Distribution	120°
Input Voltage	120V-277V
Input Current	0.15A- 0.065A
Waterproof	IP65
Thermal Management	Passive
Lifetime	$\geq 54,000$ hrs (L90)
Power Cord	2 ft

Performance Requirements

Rated Mains Voltage	120V-277V
Voltage Range	100V-277V
Mains Frequency	50-60Hz
Operation Frequency	Direct-Current Input

Physical

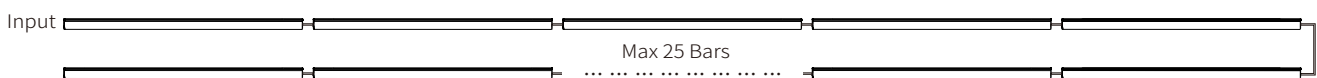
Product dimensions	1195x32x32mm
Product weight	0.35KG
Packaging method	Colour box/2 PCS; Carton box/6 Colour box
Packing dimensions	Colour box: 1265x127x45mm; Carton box: 1280x270x160mm
Gross weight	8.1KG

Others

Warranty	Free replacement within 3 years
Region applied	USA, Canada, Australia, EU, etc.
Industry applied	Grow lighting, Greenhouse

Installation Diagram

Daisy chain up to 25 bars on a single power cord.



Shenzhen Number Energy Saving Corporation

E-mail: sales@sznumber.com Tel: +86-755-28245686 Fax: +86-755-28245689 www.sznumber.com www.nanoluxtech.com
No.6, Caiyun 1st Road., Longgang District, Shenzhen, 518172, Guangdong, P.R.China