

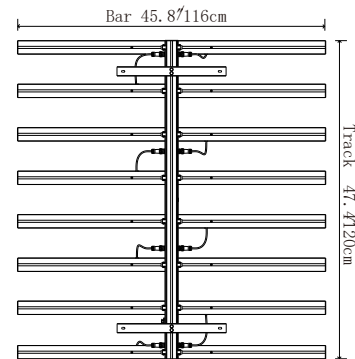
LEDex BR110

Blue(450nm) & Red(660nm) Bar

FI(450nm-660nm) & UV(400nm) Bar

Specification:

Technology Items	Parameters				
Product Code	80.01.0221				
Model Code	B/R 110				
Light Source	Commercial Horticulture				
Spectrum	FI & Blue & Red & UV Spectrum				
Input Voltage	AC100V~305V				
Bar Power	110Watt (Single)				
Fixture Power Output Range	110~880 Watt, DIY Combination				
Dimming	Manual: 40%, 55%, 70%, 85%, 100%; NCCS 0-10V: 20%~100%				
Efficiency	2.75μmol/J				
Bar Dimensions/Weight	45.8"x2.0"x1.7"/3.9Lbs (16x5x4cm/1.8kg)				
Track Dimensions/Weight	47.4"x3.1"x1.7"/3.3Lbs (20x8x4cm/1.5kg)				
Mounting Height	≥6" (152mm)				
Light Distribution	120°				
Lifetime	≥50,000hrs				
Driver	110 Watt Self Contained Driver				
Shell Color	Silver/Dark Gray				
Certifications	ETL, CE				
Waterproof	IP54				
Warranty	5 Years				
Packing	6PCS/ Carton, Bar & Track Separate Packing				
Number of Containers	20GP: 1500 Carton	40GP: 3300 Carton	40HQ: 4000 Carton		
Fixtures Output Power	440W att	550W att	660W att	770W att	880W att
Quantity of Bar	4pcs	5pcs	6pcs	7pcs	8pcs
PPF	1200 μm o l/s	1500 μm o l/s	1800 μm o l/s	2100 μm o l/s	2400 μm o l/s
Weight	9.2kg	11kg	12.8kg	14.6kg	16.4kg
Input Amperage@120V	4.32A	5.40A	6.49A	7.57A	8.65A
Input Amperage@208V	2.25A	2.81A	3.37A	3.93A	4.50A
Input Amperage@240V	1.97A	2.47A	2.96A	3.45A	3.95A
Input Amperage@277V	1.74A	2.18A	2.61A	3.05A	3.48A



*Product Size

SINGLE LIGHT BAR SPECIFIC (MAXIMUM AMPERAGE BY VOLTAGE SERVICE)

VOLTAGE	120V	208V	240V	277V
AMPERAGE	1.14A	0.62A	0.57A	0.49A